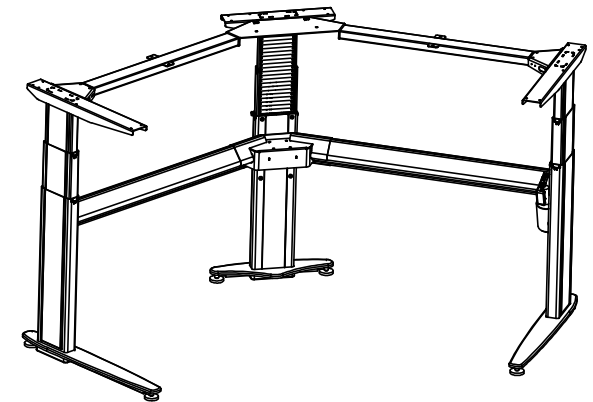
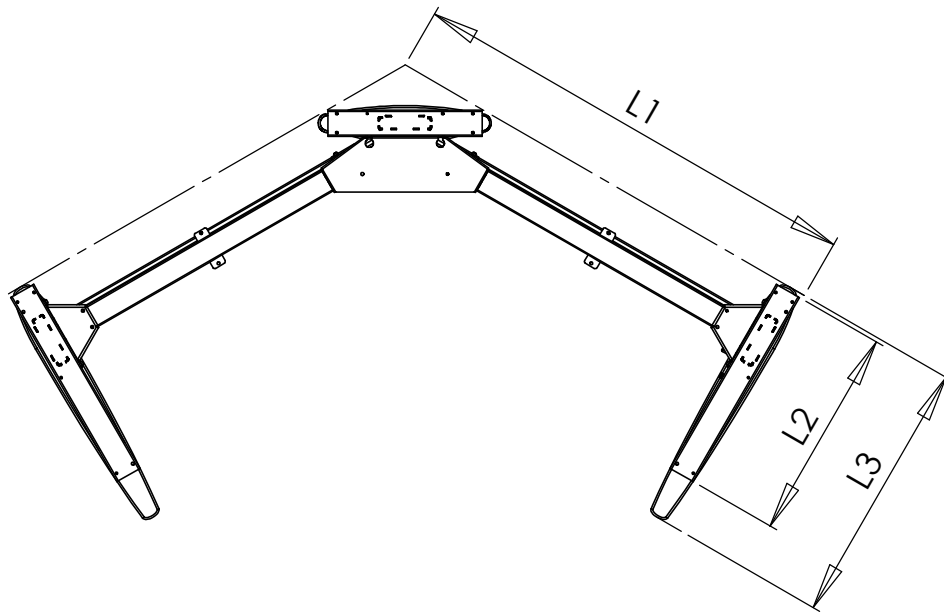


**L1 [mm] L1 [inch]**

<b>084</b>	970	38-3/16"
<b>129</b>	1430	56-1/8"
<b>133</b>	1470	55-11/16"
<b>144</b>	1575	62"
<b>152</b>	1655	65-1/8"

**L2 [mm] L2 [inch] L3 [mm] L3 [inch]**

<b>501-25</b>	640	25-3/16"	680	26-3/4"
<b>501-27</b>	450	17-11-16"	560	22-1/16"
<b>501-29</b>	640	25-3/16"	680	26-3/4"
<b>501-32</b>	450	17-11-16"	560	22-1/16"



DO NOT SCALE DRAWING SHEET 1 OF 7		WEIGHT:				<b>ConSet A/S</b> <small>Staalvej 14-16 DK-6900 Skjern Denmark <a href="http://www.conset.com">www.conset.com</a></small>	
UNLESS OTHERWISE SPECIFIED: DIMENSIONS ARE IN MILLIMETERS TOLERANCES: LINEAR: According to ANGULAR: DIN 7168-m		NAME		DATE		TITLE: 501-25/27/29/32 w. 501-2X GS minimum top measures	
		DRAWN jo		23-09-2013			
<b>PROPRIETARY AND CONFIDENTIAL</b> THE INFORMATION CONTAINED IN THIS DRAWING IS THE SOLE PROPERTY OF CONSET A/S. ANY REPRODUCTION IN PART OR AS A WHOLE WITHOUT THE WRITTEN PERMISSION OF CONSET A/S IS PROHIBITED.		CHECKED		Processes:		DWG NO. <b>132480</b>	
		Remarks:		REVISION			
						<b>0</b>	