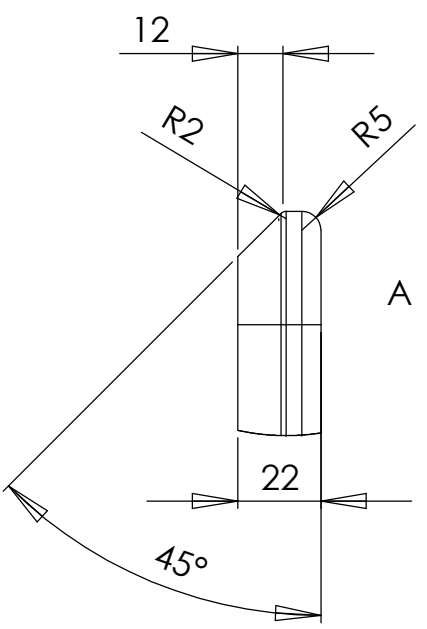
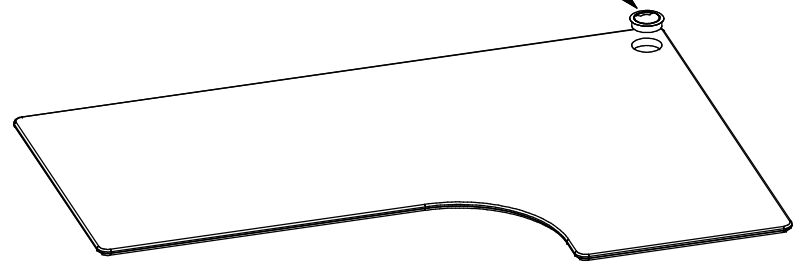
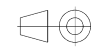


Cablevent, black  
302700



UNLESS OTHERWISE SPECIFIED DIMENSIONS ARE IN MM TOLERANCES ARE: According to DIN 7168-m	MATERIAL SPECIFICATION:	<h1>ConSet A/S</h1> <small>Staalvej 14-16 6900 Skjern Denmark</small>
	---	
 MATERIAL MDF + Veneer	PROCES SPECIFICATION:	Tabletop, 180R
	---	
FINISH Lacquered	---	XXXXXX
DO NOT SCALE DRAWING	DRAWN: JO CHECKED: GL DATE: 060223	