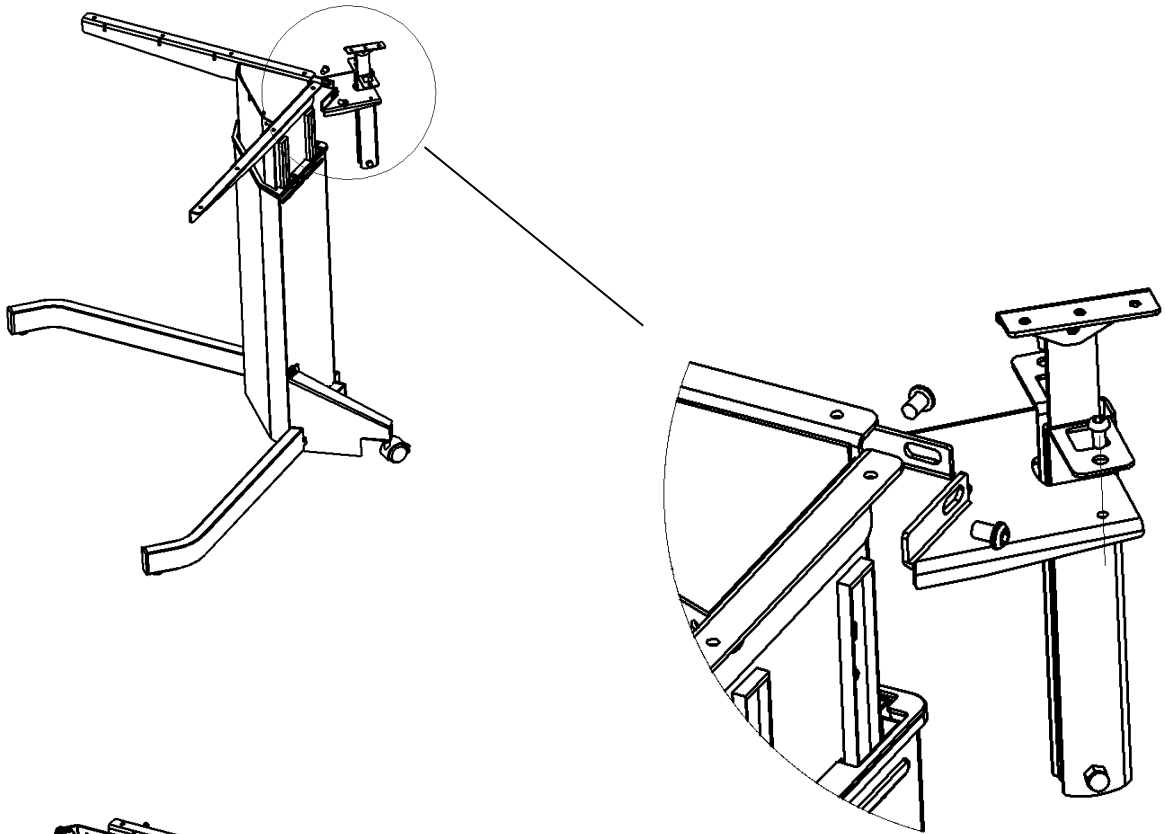
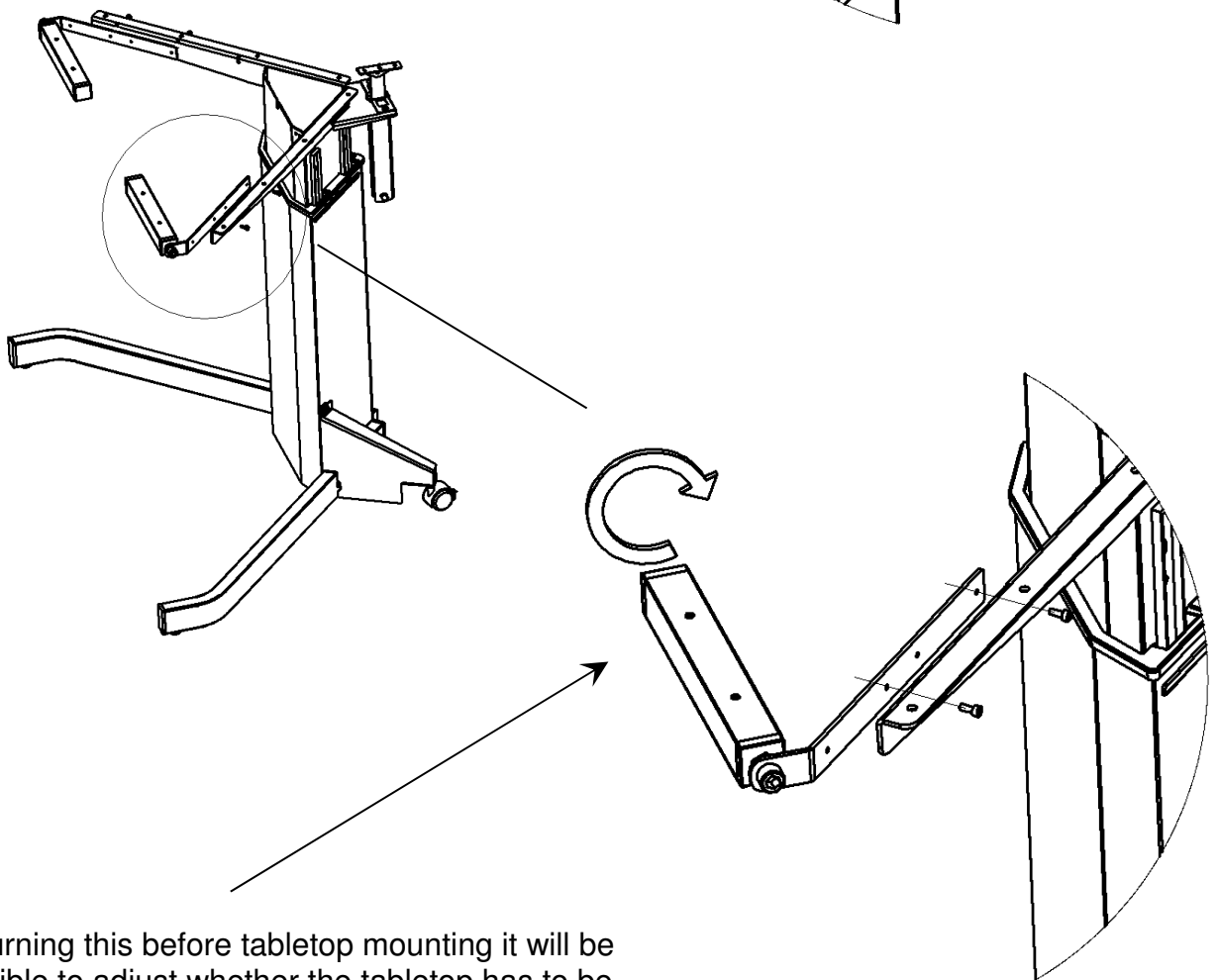


Mounting instruction, 501-7 angular tabletop

1.



2.



By turning this before tabletop mounting it will be possible to adjust whether the tabletop has to be easy or hard to angle.