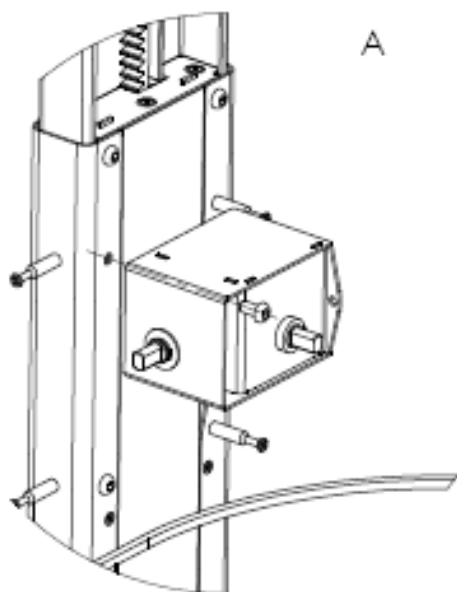


\* Example of length of modesty panels



Mounting principle  
501-15, 3-column models