

**Product data sheet:  
Electric height adjustable desk frame 501-32**



# Table of contents

Packing details .....3

Main measures and specifications .....4

Tabletop drillings .....5

Assembly and use .....6

Safety and tests .....7

Component specifications.....8

## Packing details

### 501-32 - box measures

#### Box of legs

501-32 XXXXX | WxDxH | 575 x 160 x 565 | [mm] | 22-5/8" x 6-5/16" x 22-1/4" | [inch]

#### Box of cross bars

| Part         | LxWxH | 790 x 185 x 100  | 31-1/8" x 7-5/16" x 3-15/16"   | [inch] |
|--------------|-------|------------------|--------------------------------|--------|
| 501-2X XX084 | LxWxH | 790 x 185 x 100  | 31-1/8" x 7-5/16" x 3-15/16"   | [inch] |
| 501-2X XX129 | LxWxH | 1240 x 185 x 100 | 48-13/16" x 7-5/16" x 3-15/16" | [inch] |
| 501-2X XX133 | LxWxH | 1280 x 185 x 100 | 50-3/8" x 7-5/16" x 3-15/16"   | [inch] |
| 501-2X XX144 | LxWxH | 1390 x 185 x 100 | 54-3/4" x 7-5/16" x 3-15/16"   | [inch] |
| 501-2X XX152 | LxWxH | 1470 x 185 x 100 | 57-7/8" x 7-5/16" x 3-15/16"   | [inch] |
| 501-2X XX172 | LxWxH | 1670 x 185 x 100 | 65-3/4" x 7-5/16" x 3-15/16"   | [inch] |

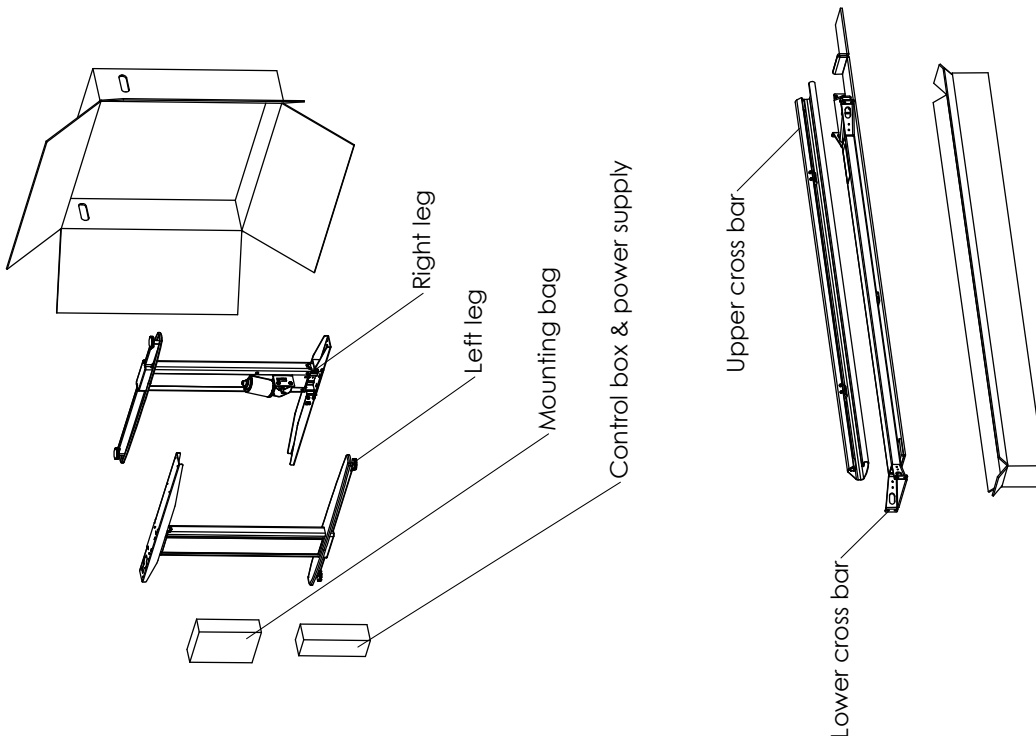
### 501-32 - box weights

#### Box of legs

501-32 XXXXX | 20 | [kg] | 44 | [lbs]

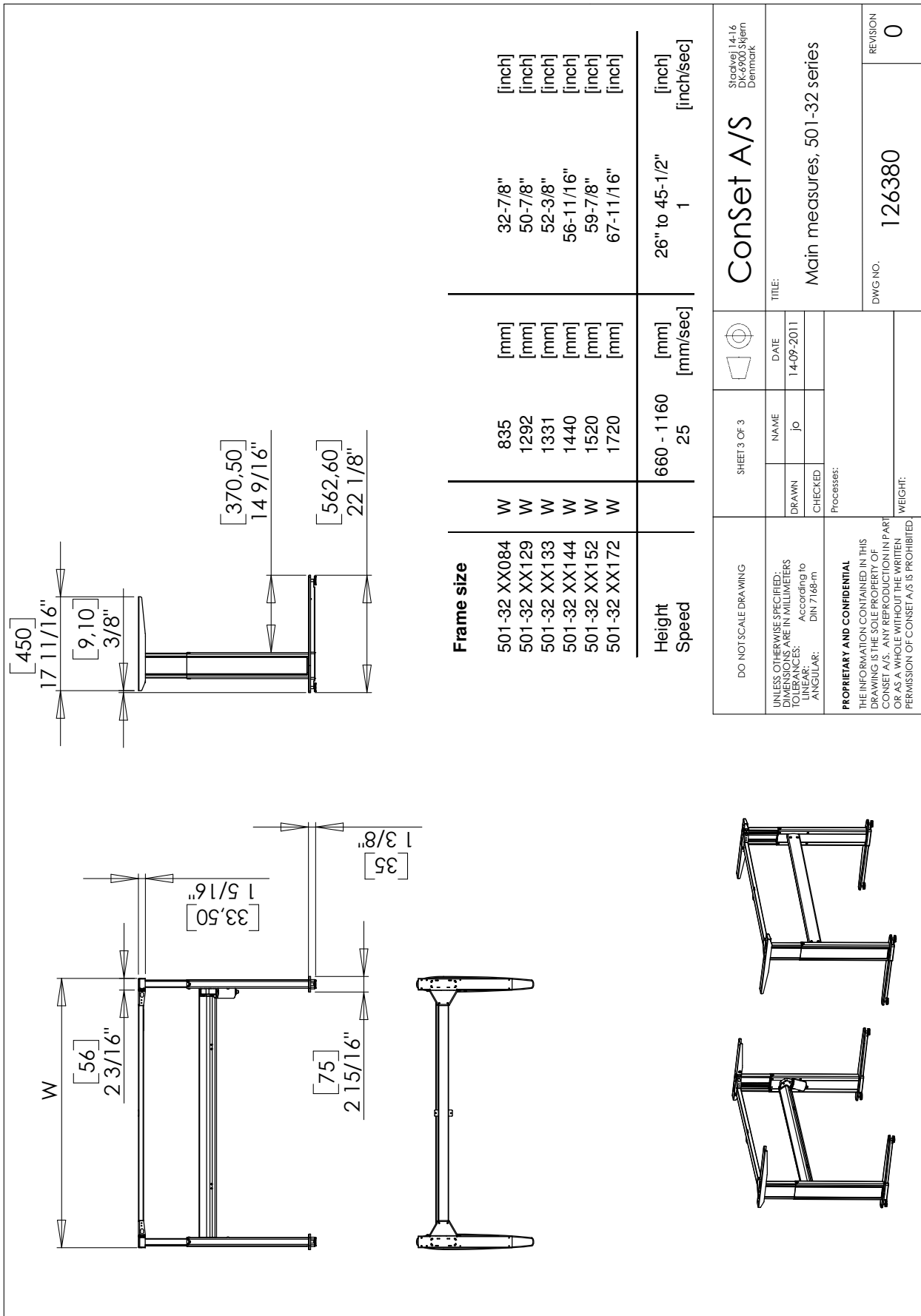
#### Box of cross bars

| Part         | Weight | [kg] | [lbs] |
|--------------|--------|------|-------|
| 501-2X XX084 | 4      | [kg] | [lbs] |
| 501-2X XX129 | 5      | [kg] | [lbs] |
| 501-2X XX133 | 6      | [kg] | [lbs] |
| 501-2X XX144 | 6,5    | [kg] | [lbs] |
| 501-2X XX152 | 7      | [kg] | [lbs] |
| 501-2X XX172 | 8      | [kg] | [lbs] |

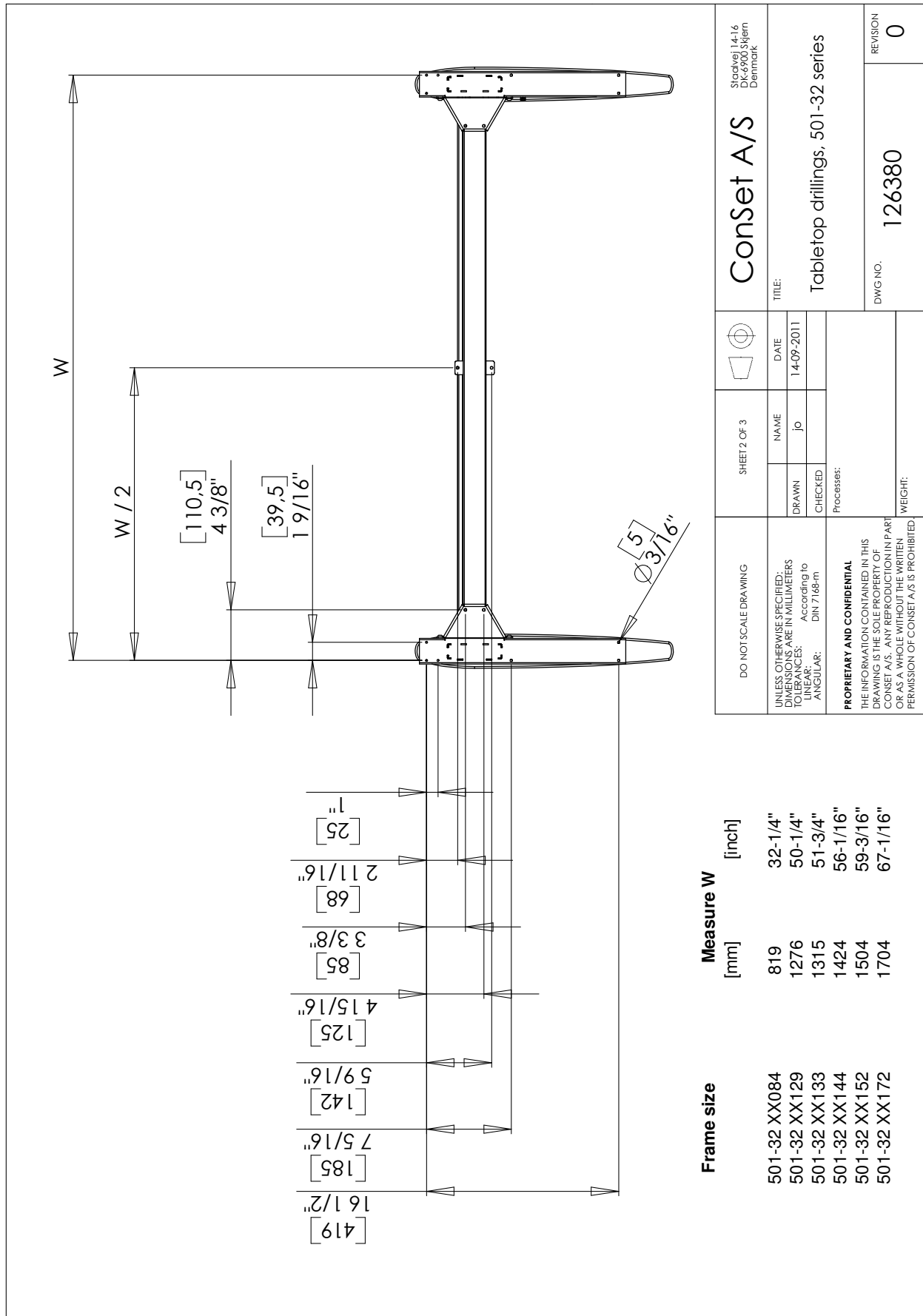


|  |                                  |   |   |
|--|----------------------------------|---|---|
| DO NOT SCALE DRAWING   | SHEET 4 OF 4                     | ConSet A/S                              | Staalvej 14-16<br>DK-6900 Skjern<br>Denmark |
| UNLESS OTHERWISE SPECIFIED:<br>DIMENSIONS ARE IN MILLIMETERS<br>TOLERANCES:<br>LINEAR: According to<br>ANGULAR: DIN 7168-m   | DRAWN: jo<br>CHECKED: Processes: | TITLE:<br>Box components, 501-32 Series | REVISION<br>0                               |
| PROPRIETARY AND CONFIDENTIAL<br>THE INFORMATION CONTAINED IN THIS<br>DRAWING IS THE SOLE PROPERTY OF<br>CONSET A/S. ANY REPRODUCTION IN PART<br>OR AS A WHOLE WITHOUT THE WRITTEN<br>PERMISSION OF CONSET A/S IS PROHIBITED. | WEIGHT:                          | DWG NO. 125160                          |   |

## Main measures and specifications



## Tabletop drillings



|   |   |   |   |
|---|---|---|---|
| DO NOT SCALE DRAWING  | SHEET 2 OF 3                                    | ConSet A/S                                  | Stadshøj 14-16<br>DK-9000 Skjern<br>Denmark |
| UNLESS OTHERWISE SPECIFIED:<br>DIMENSIONS ARE IN MILLIMETERS<br>TOLERANCES: According to<br>LINEAR: DIN 7168-m<br>ANGULAR:  | NAME: jo<br>DRAWN: jo<br>CHECKED:<br>Processes: | TITLE:<br>Tabletop drillings, 501-32 series | DWG NO. 126380<br>REVISION 0                |
| PROPRIETARY AND CONFIDENTIAL<br>THE INFORMATION CONTAINED IN THIS<br>DRAWING IS THE SOLE PROPERTY<br>OF CONSET. NO REPRODUCTION IN PART<br>OR AS A WHOLE WITHOUT THE WRITTEN<br>PERMISSION OF CONSET A/S IS PROHIBITED. | DATE: 14-09-2011                                |   |   |

## Assembly and use

Along with all products a "Direction for assembly and use" is delivered. In this you will find a detailed description of the way of assembly.



After the frame has been mounted the chosen tabletop is mounted and the operation unit will be possible to fix at the bottom side of the table top. This operation unit has a push switch and a rocker switch.

With push switch A and rocker switch B it is possible to move the tabletop up and down and can be stopped at all levels. For safety reasons it is necessary to push both buttons at the same time for moving the table up and down.



## Safety and tests

All ConSet sit and stand desk frames meet the necessary requirements within the following relevant categories:

- EN 527-1: Office furniture – Workplaces and desks – Part 1:  
Dimensions
- EN 527-2: Office furniture – Workplaces and desks – Part 2:  
Mechanical safety requirements
- EN 527-3: Office furniture – Workplaces and desks – Part 3:  
Methods of test for the determination of the stability and the mechanical strength of the structure.

### Declaration of conformity

We hereby declare, under our sole responsibility that the following product:

- ConSet sit and stand table product type **501-32**

is in accordance with:

- Directive 2006/42/EF of The European Parliament and of the Council of 17 May 2006 on machinery and on changes of directive 95/16/EF

With reference to the above please be aware that:

- the sit and stand table is considered a machine and
- the sit and stand table may not be used until it has been assembled and installed according to the instructions.

## Component specifications

|                     |  |
|---------------------|--|
| Metal sheet parts:  | St 37-2  |
| Gear parts:         | St 70-2  |
| Gear motor:         | CS no. 107630  |
| Power supply:       | 80 W AC Power Transformer<br>Input 100-240 VAC ~ 50/60Hz<br>Consumption: 80 Watts; Standby: Less than 1 Watt                                   |
| Plastic components: | PA6, POM, PE-HD  |
| Surface treatment:  | Visible metal parts powder coated in "alu" colour, RAL9006<br>and black, RAL9004.<br>Non visible metal parts are surface treated (e.g. plated) |