

Product data sheet:
Electric height adjustable desk frame 501-27

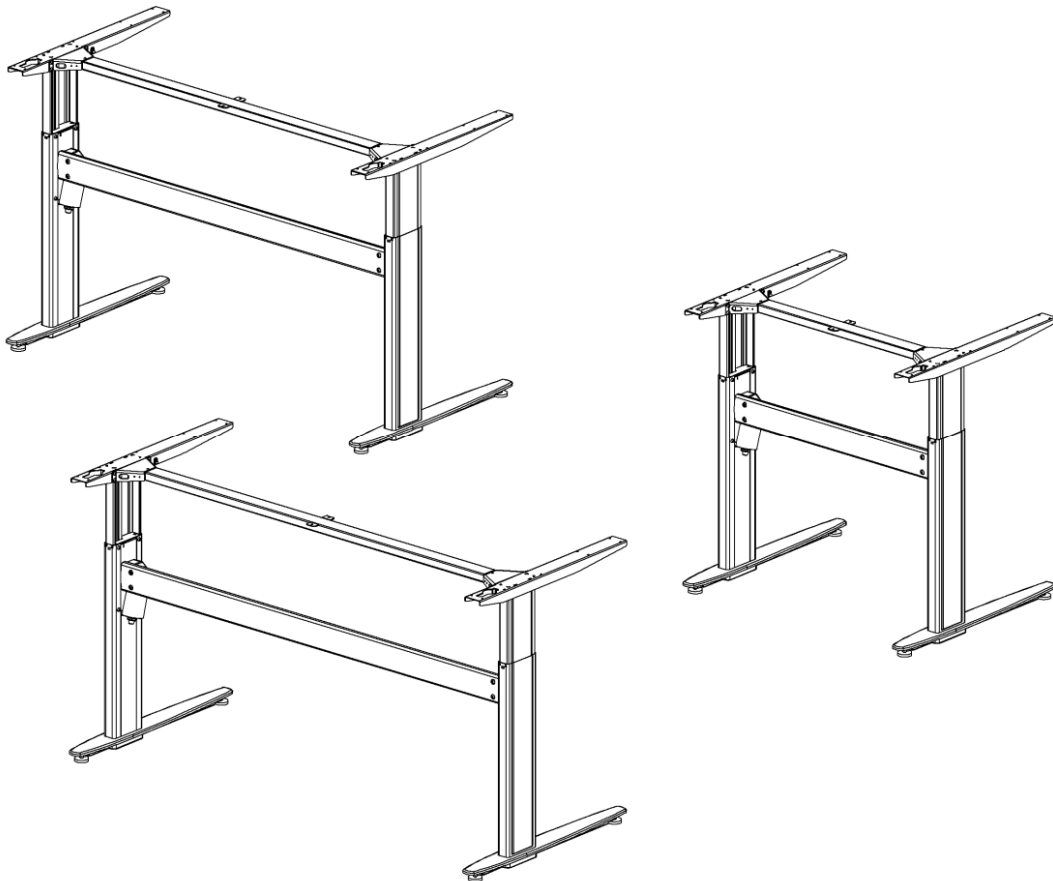


Table of contents

Packing details	page 3
Main measures and specifications	page 4
Tabletop drillings	page 5
Assembly and use	page 6
Safety and tests	page 7
Specification, components	page 8

Packing details



<u>501-27 - box measures</u>	
Box of legs	WxDxH 703 x 163 x 678 [mm] 23-1/16" x 6-7/16" x 26-11/16" [inch]
Box of cross bars	
501-2X XX084	LxWxH 773 x 177 x 102 [mm] 30-7/16" x 6-15/16" x 4" [inch]
501-2X XX129	LxWxH 1230 x 177 x 102 [mm] 48-7/16" x 6-15/16" x 4" [inch]
501-2X XX133	LxWxH 1269 x 177 x 102 [mm] 49-7/16" x 6-15/16" x 4" [inch]
501-2X XX144	LxWxH 1378 x 177 x 102 [mm] 54-1/4" x 6-15/16" x 4" [inch]
501-2X XX152	LxWxH 1458 x 177 x 102 [mm] 58-1/4" x 6-15/16" x 4" [inch]
501-27 - box weights	
Box of legs	
501-29 XXXXX	20 [kg] 44 [lbs]
Box of cross bars	
501-2X XX084	6 [kg] 13 [lbs]
501-2X XX129	8 [kg] 18 [lbs]
501-2X XX133	9 [kg] 20 [lbs]
501-2X XX144	9 [kg] 21 [lbs]
501-2X XX152	10 [kg] 22 [lbs]

DO NOT SCALE DRAWING	SHEET 7 OF 4	ConSet A/S	Strøbelvej 14-16 DK-6000 Skjern Denmark
UNLESS OTHERWISE SPECIFIED: DIMENSIONS ARE IN MILLIMETERS	DRAWN NAME DATE	TITLE:	REVISION
TOLERANCES: LINEAR: According to ANGULAR: DIN 7169-1	jo 02-03-2011	Box components	0
PROPRIETARY AND CONFIDENTIAL THE INFORMATION CONTAINED IN THIS DRAWING IS THE SOLE PROPERTY OF CONSET A/S. ANY REPRODUCTION IN PART OR AS A WHOLE WITHOUT THE WRITTEN PERMISSION OF CONSET A/S IS PROHIBITED.	CHECKED Processes:	DWG NO. 125160	REVISION

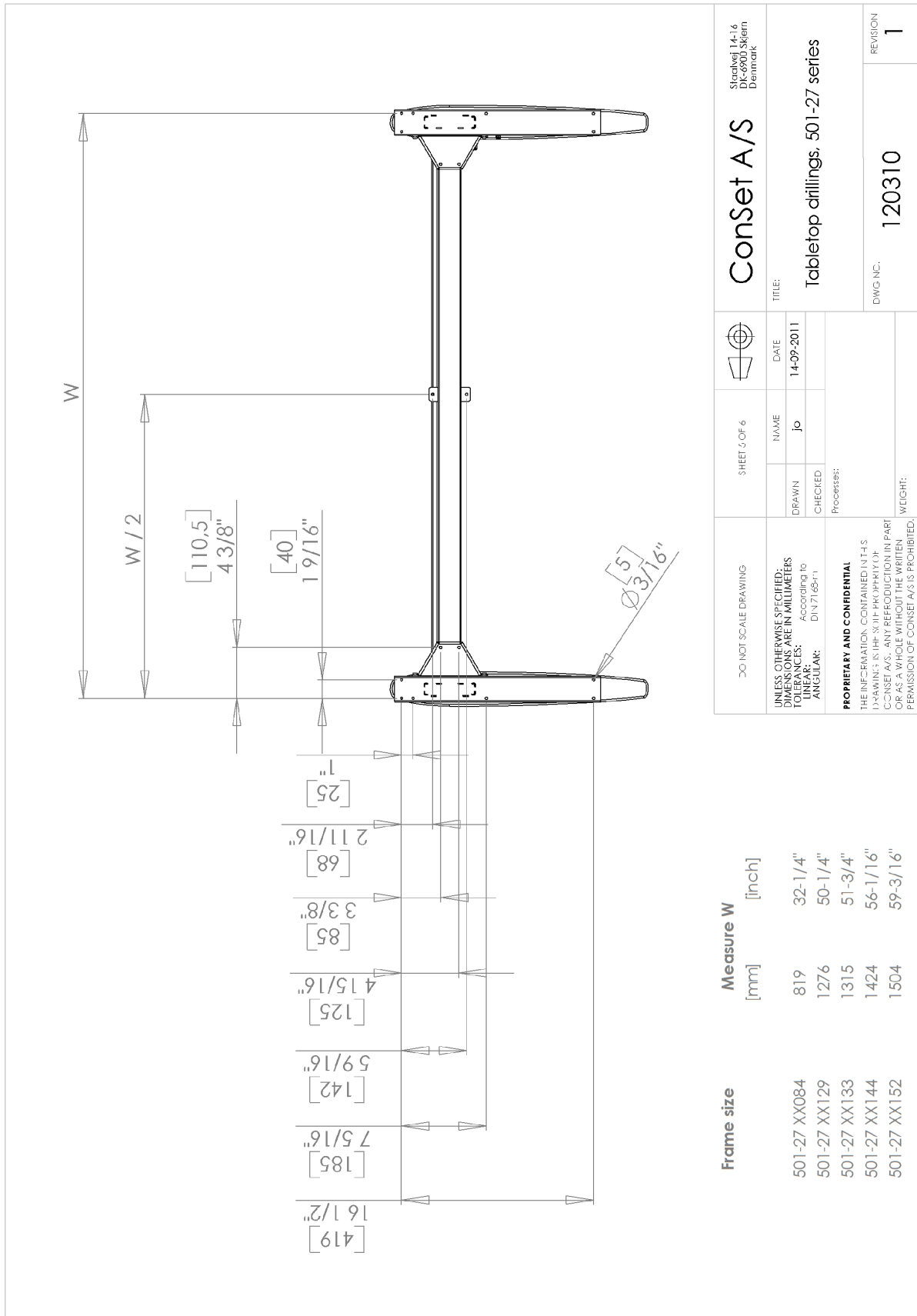
Main measures and specifications



Frame size	[mm]	[inch]
501-27 XX084	835	32-7/8"
501-27 XX129	1292	50-7/8"
501-27 XX133	1331	52-3/8"
501-27 XX144	1440	56-11/16"
501-27 XX152	1520	59-7/8"

DO NOT SCALE DRAWING	SHEET 6 OF 6	ConSet A/S Storåvej 14-16 DK-6900 Skjern Denmark	
UNLESS OTHERWISE SPECIFIED: DIMENSIONS ARE IN MILLIMETERS TOLERANCES: According to LINEAR: DIN7169-1 ANGULAR: DIN7169-1	NAME	DATE	TITLE:
	jo	14-09-2011	Main measures, 501-27 series
PROPRIETARY AND CONFIDENTIAL THE INFORMATION CONTAINED IN THIS DRAWING IS THE PROPERTY OF CONSET A/S. IT IS TO BE USED ONLY IN CONNECTION WITH THE PART OR AS A WHOLE WITHOUT THE WRITTEN PERMISSION OF CONSET A/S IS PROHIBITED.	DRAWN	CHECKED	PROCESS:
WEIGHT:	DMG NO.:	REVISION:	
	120310	1	

Tabletop drillings



SHEET 6 OF 6		NAME: jo		DATE: 14-09-2011	
DRAWN		CHECKED		PROCESS:	
DO NOT SCALE DRAWING		UNLESS OTHERWISE SPECIFIED: DIMENSIONS ARE IN MILLIMETERS		TOLERANCES: ACCORDING TO LINEAR: DIN 7168-1	
ANGULAR: DIN 7168-1		PROPRIETARY AND CONFIDENTIAL		THE INFORMATION CONTAINED IN THIS DRAWING IS THE PROPERTY OF CONSET A/S. ANY REPRODUCTION IN PART OR AS A WHOLE WITHOUT THE WRITTEN PERMISSION OF CONSET A/S IS PROHIBITED.	
ConSet A/S		Staalvej 14-16		DK-6900 Skjern	
Tabletop drillings, 501-27 series		DWG NO. 120310		REVISION 1	

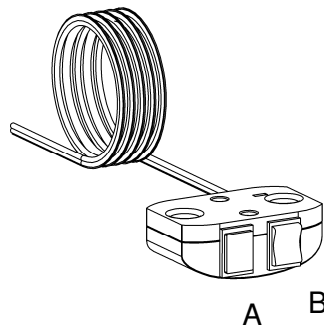
Assembly and use

Along with all products a "Direction for assembly and use" is delivered. In this you will find a detailed description of the way of assembly.



After the frame has been mounted the chosen tabletop is mounted and the operation unit will be possible to fix at the bottom side of the tabletop. This operation unit has two rocker switches.

With push switch A and rocker switch B it is possible to move the tabletop up and down and can be stopped at all levels. For safety reasons it is necessary to push both buttons at the same time for moving the table up and down.



The desk frame has a safety feature. If the moving parts of the desk frame meet an obstacle in the down-going motion, the desk frame will stop. The pressure given before stopping is equal to the weight of the tabletop and the articles placed on the tabletop.

Safety and tests

All products have been tested up against the following norms:

ISO/DIS 8019

DS/ISO 7172

The norms mention above is possible to find at the website in the section "Norms and approvals".

DECLARATION OF CONFORMITY

We hereby declare, under our sole responsibility that the following products:

- ConSet sit and stand tables product type 501-27

which are covered by this statement, are in conformity with the following standards and other normative documents::

- Counsel Directive 98/37/EF
- Counsel Directive 89/336/EØF with later changes
- Counsel Directive 73/23/EØF with later changes

With reference to the Machinery Directive (98/37/EF) please be aware:

- the sit and stand table is considered a machine and
- the sit and stand table may not be used until it has been assembled and installed according to the instructions."

Component specifications

Metal sheet parts:	St 37-2
Gear parts:	St 70-2
Gear motor:	CS no. 115720
Power supply:	80 W AC Power Transformer Input 100-240 VAC ~ 50/60Hz Consumption: 80 Watts; Standby: Less than 1 Watt
Plastic components:	PA6, POM, PE-HD
Surface treatment	Visible metal parts powder coated in "alu" colour, RAL9006 and black, RAL 9004 Non visible metal parts are surface treated (e.g. plated)